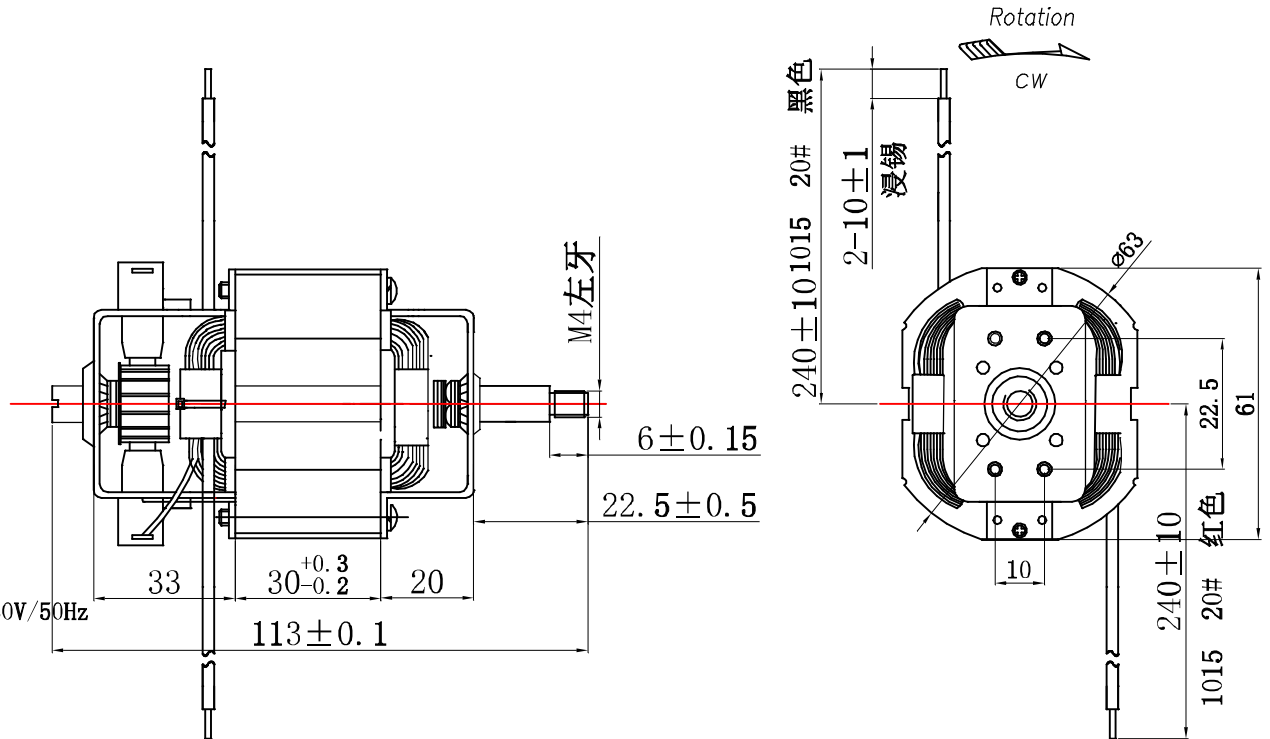


Rohs Compliance

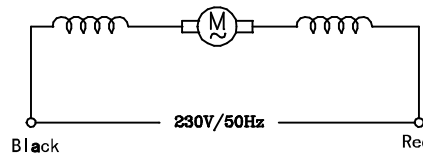
REV	DESCRIPTION	DATE	BY
A	FIRST ISSUE		



Notes:

- Voltage with Frequency (电压和频率): 230V/50Hz
- Rotation (转向): CW
- No-load Performance (空载性能)  
 No-load Speed (空载转速): 25000±15%  
 No-load Current (空载电流): 0.45±15%  
 No-load Power (空载功率): 105±15%
- On load Performance (负载性能)  
 On load Speed (负载转速): 11500±10%  
 On load Current (负载电流): 1.4±10%  
 On load Power (负载功率): 330±10%
- Torque (扭矩):
- Choke (电感):
- Capacitance (电容):
- Fuse or Thermostat (保险丝或者温控):
- Temperture Rise (温升): 115°
- Insulation Grade (绝缘等级): F
- Withstand Voltage (耐压): 1500V/0.5Ma/1S
- Life (寿命):
- Noise (噪音): <75Db(30cm to motor)

CIRCUIT DIAGRAM



Label content:

OD-6330M230  
230V/50Hz  
MADE IN CHINA

GENERAL TOLERANCES ISO 2768-m	
Permissible deviations for linear dimensions	
Permissible deviations for basic size range	
>0.5 ...3	>3 ...6
>6 ...30	>30 ...120
>120 ...400	>400 ...1000
>1000 ...2000	>2000 ...4000
m	±0.1 ±0.1 ±0.2 ±0.3 ±0.5 ±0.8 ±1.2 ±2
Permissible deviations for angular dimensions	
Permissible deviations for broken edges (isolated radii chamfer heights)	
Permissible deviations for ranges of lengths in millimeters of the shorter side of the angle concerned	
>0.5 ...10	>10 ...50
>50 ...120	>120 ...400
>400 ...1000	>1000 ...2000
>2000 ...4000	>4000 ...8000
m	±1° ±30' ±20' ±10' ±7.5' ±0.2 ±0.5 ±1

DWN. BY	CHK. BY	APP. BY
Date(yyymmdd)	Date(yyymmdd)	Date(yyymmdd)
MATERIAL:		
FINISH:		
General Tolerance ISO 2768-1 Class m (Unless specified)		TITLE
ALL DIMENSIONS ARE IN MILLIMETRES		OD-6330M23
SHENZHEN ODIN IMPORT AND EXPORT CO., LTD		DWG NO. OD-6330M23
		SHEET 1 OF 1